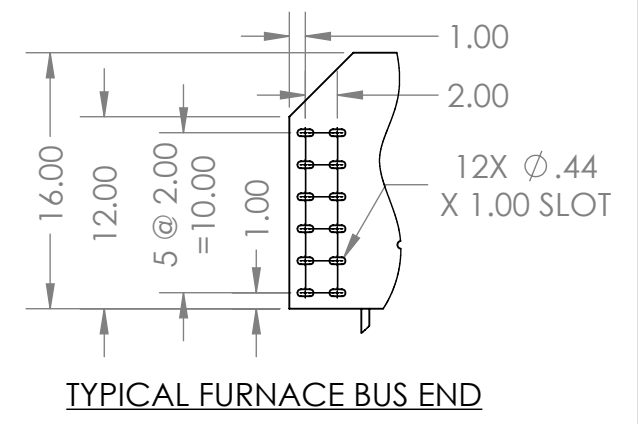
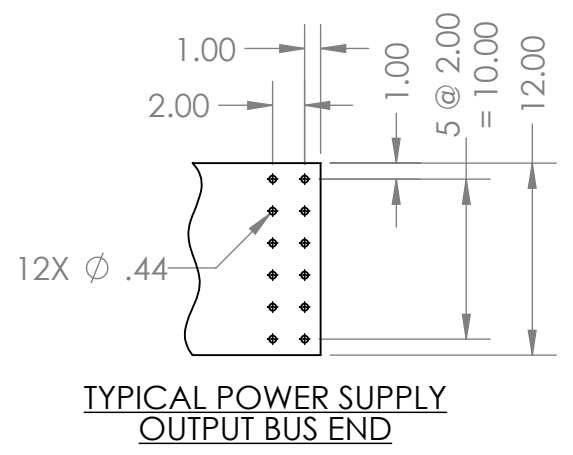
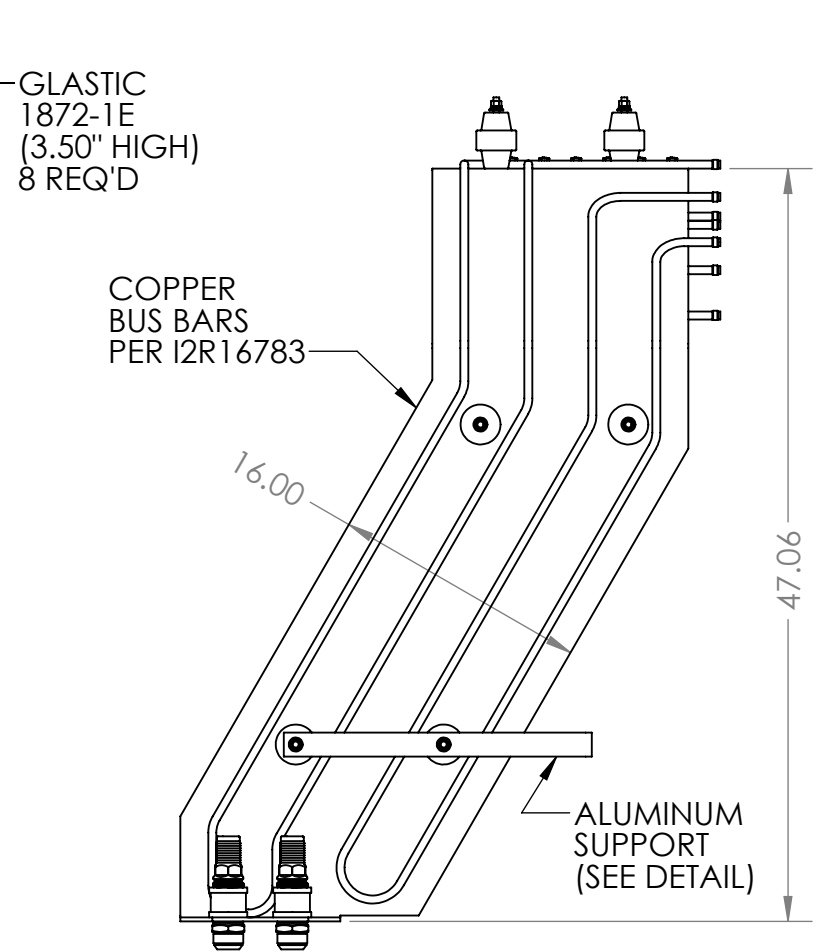
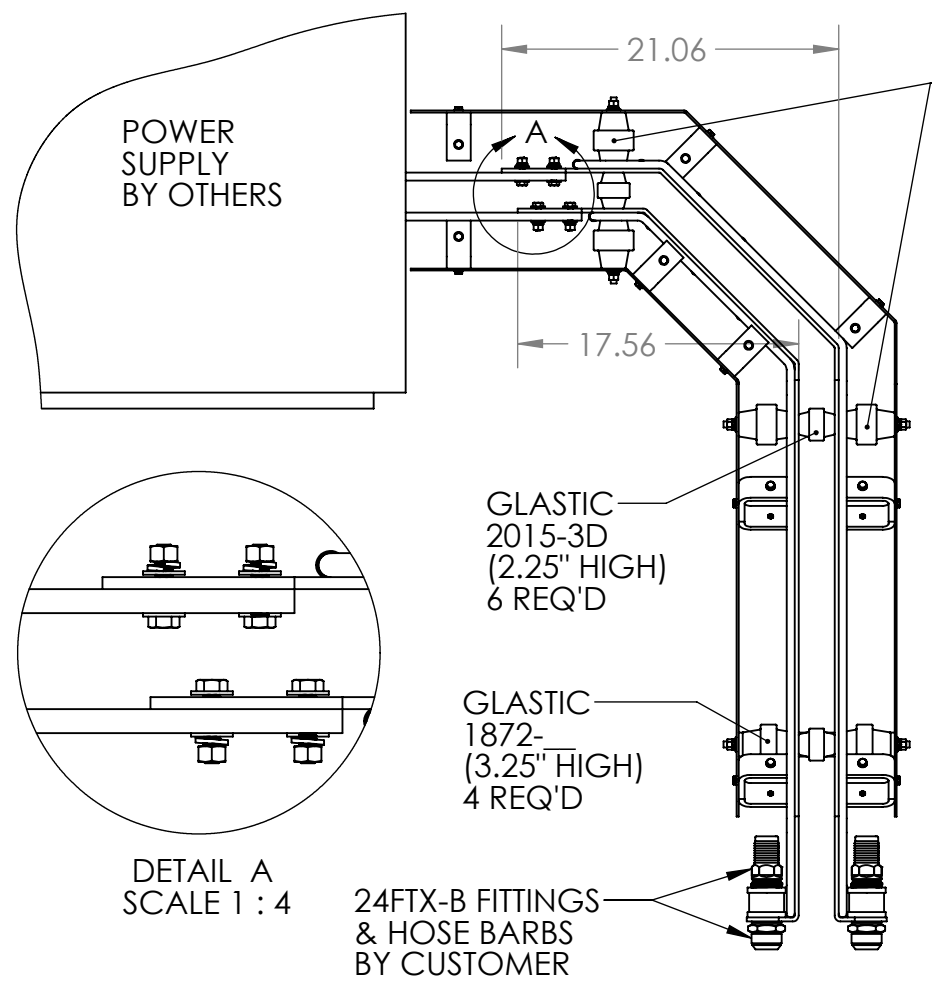


4

3

2

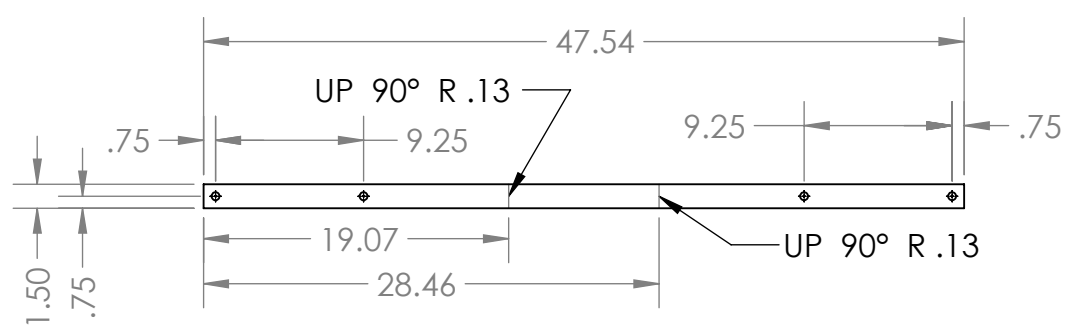
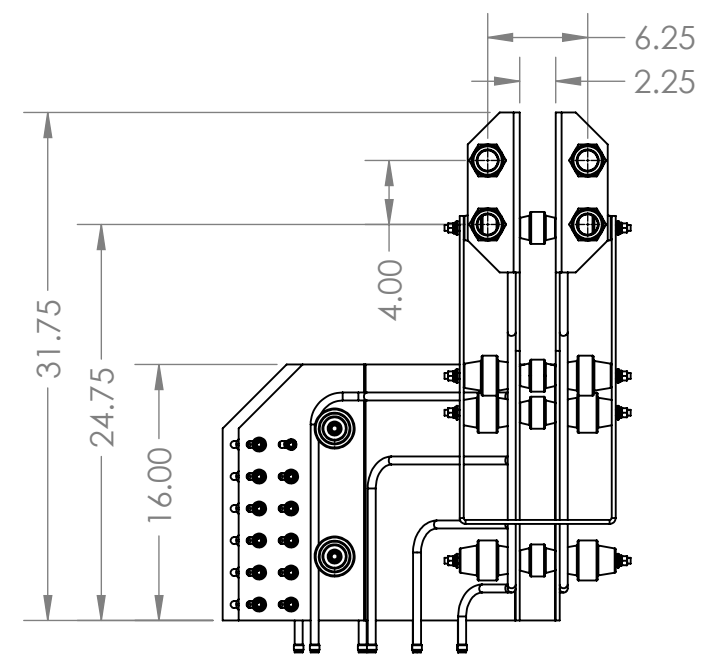
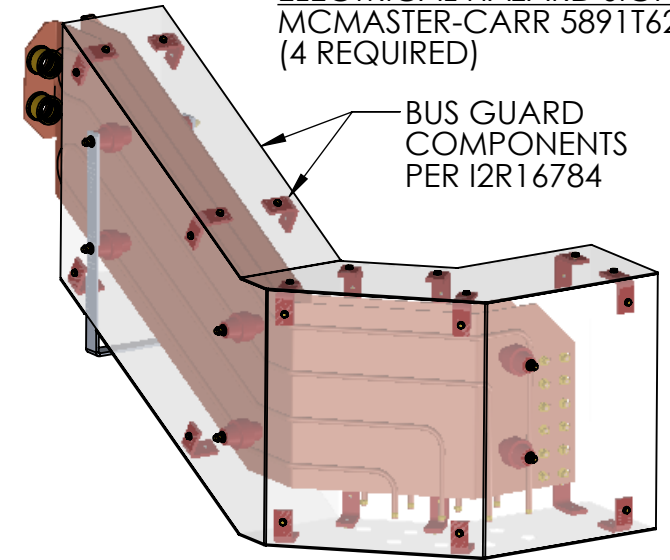
1



HARDWARE LIST

DESCRIPTION	MAT'L	SIZE	QTY
STUD, FULL THREAD	BRASS	3/8-16 X 1-1/2	24
HEX CAP SCREW	BRONZE	3/8-16 X 1-1/2	24
FLAT WASHER	BRASS	3/8	60
LOCK WASHER	BRONZE	3/8	24
HEX NUT	BRONZE	3/8-16	24
HEX LOCK NUT	BRASS	3/8-16	12
HEX CAP SCREW	BRASS	1/4-20 X 1/2	40
FLAT WASHER	BRASS	1/4	40

ELECTRICAL HAZARD SIGNS: MCMMASTER-CARR 5891T621 (4 REQUIRED)



BUS SUPPORT MATERIAL: ALUMINUM FLAT BAR .25 X 1.50

UNLESS OTHERWISE SPECIFIED:

	NAME	DATE
DRAWN	MHF	07-27-2016
CHECKED		
ENG APPR.	MGP	08-25-2016
MFG APPR.		
Q.A.		

PROPRIETARY AND CONFIDENTIAL

THE INFORMATION CONTAINED IN THIS DRAWING IS THE SOLE PROPERTY OF I<sup>2</sup>R POWER CABLE CO. ANY REPRODUCTION IN PART OR AS A WHOLE WITHOUT THE WRITTEN PERMISSION OF I<sup>2</sup>R POWER CABLE CO. IS PROHIBITED.

**I<sup>2</sup>r POWER**

TITLE: **BUS BAR ASSEMBLY**

SIZE	DWG. NO.	REV
<b>B</b>	<b>I2R16753</b>	<b>0</b>

SCALE: 1:12 WEIGHT: ~220# SHEET 1 OF 1

#	REVISION NOTES	BY	APPR	DATE
3	.	.	.	.
2	.	.	.	.
1	.	.	.	.

4

3

2

1