

4

3

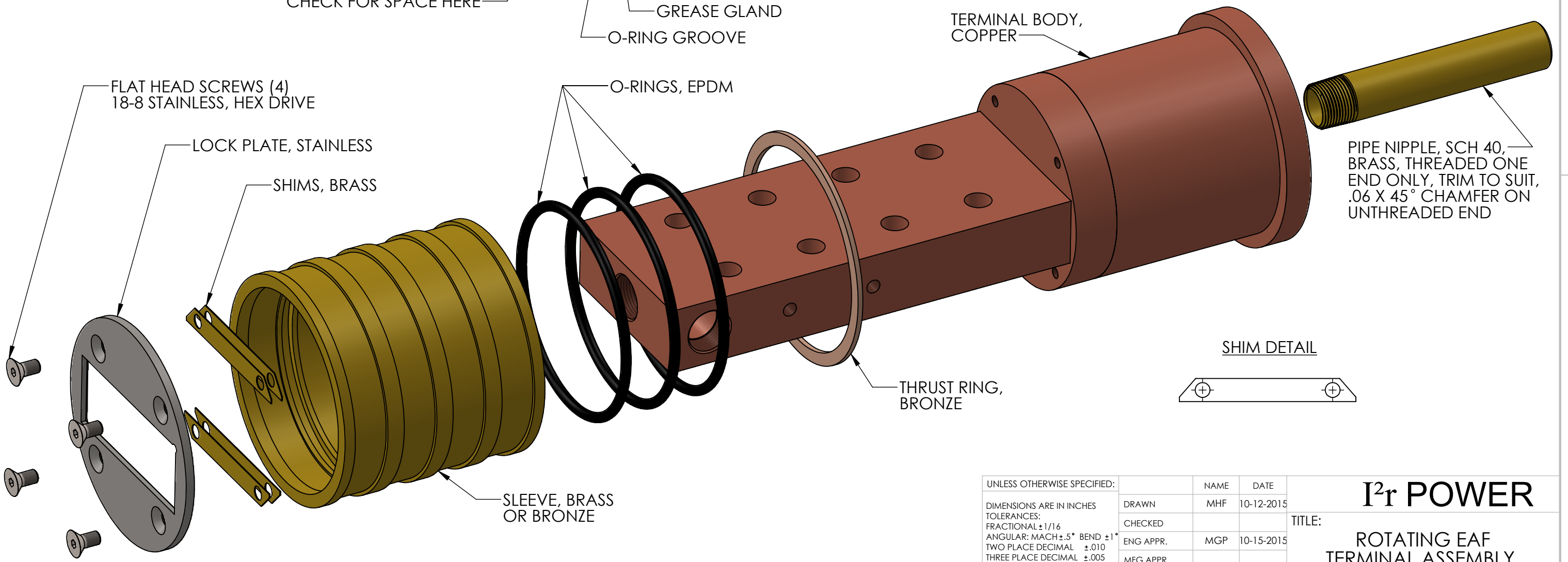
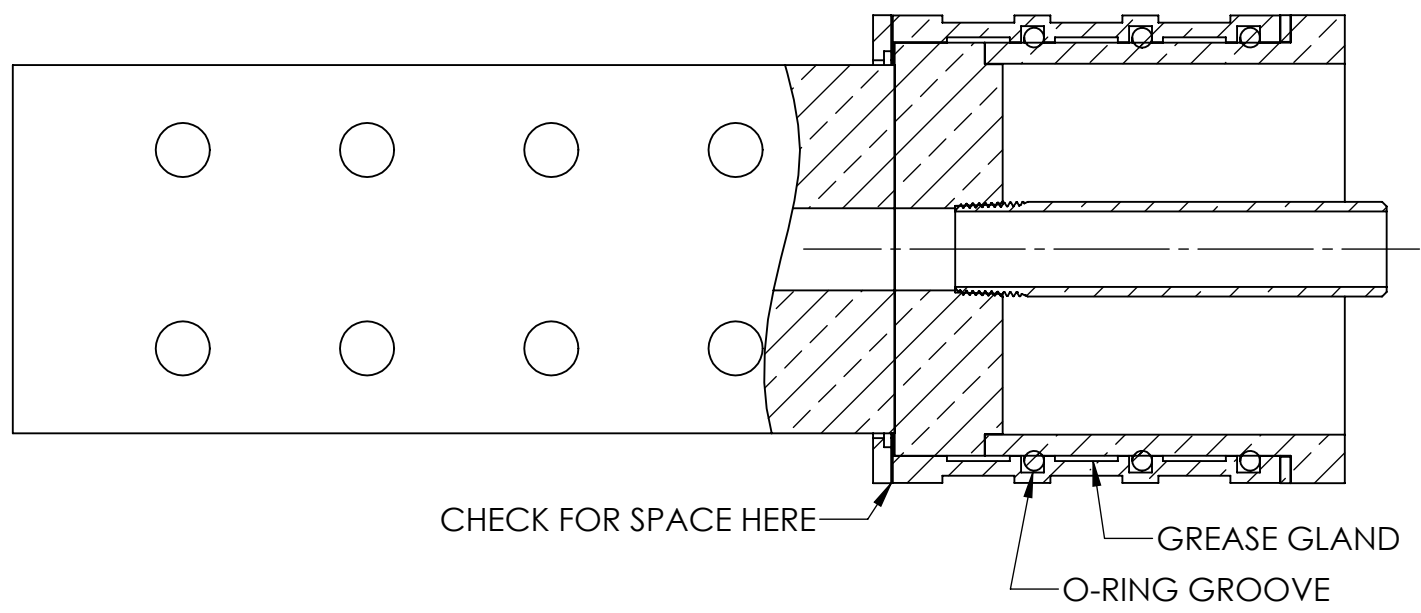
2

1

NOTES:

- 1. PACK ALL GREASE GLANDS IN SLEEVE WITH LUBRIPLATE 930-2 MULTI-PURPOSE BENTONE GREASE.
- 2. LUBE O-RINGS WITH SAME GREASE.
- 3. ADD BRASS SHIMS AS NEEDED TO ACHIEVE TOTAL CLEARANCE OF .020 TO .030 INCHES AT END OF BRASS SLEEVE.

DRAWING FOR CONCEPT ILLUSTRATION
-- NOT FOR CONSTRUCTION --



#	REVISION NOTES	BY	APPR	DATE
3
2
1

UNLESS OTHERWISE SPECIFIED:		NAME	DATE
DIMENSIONS ARE IN INCHES		DRAWN	MHF 10-12-2015
TOLERANCES:		CHECKED	
FRACTIONAL ±1/16		ENG APPR.	MGP 10-15-2015
ANGULAR: MACH ±.5° BEND ±1°		MFG APPR.	
TWO PLACE DECIMAL ±.010		Q.A.	
THREE PLACE DECIMAL ±.005		PROPRIETARY AND CONFIDENTIAL	
INTERPRET GEOMETRIC TOLERANCING PER:		THE INFORMATION CONTAINED IN THIS DRAWING IS THE SOLE PROPERTY OF I ² R POWER CABLE CO. ANY REPRODUCTION IN PART OR AS A WHOLE WITHOUT THE WRITTEN PERMISSION OF I ² R POWER CABLE CO. IS PROHIBITED.	
MATERIAL AS NOTED		SIZE	DWG. NO.
FINISH		B	I2R15705
DO NOT SCALE DRAWING		SCALE: 3:8	WEIGHT:

I ² r POWER		
TITLE: ROTATING EAF TERMINAL ASSEMBLY, TRANSFORMER END		
SIZE	DWG. NO.	REV
B	I2R15705	--
SCALE: 3:8		WEIGHT:
		SHEET 1 OF 1

4

3

2

1