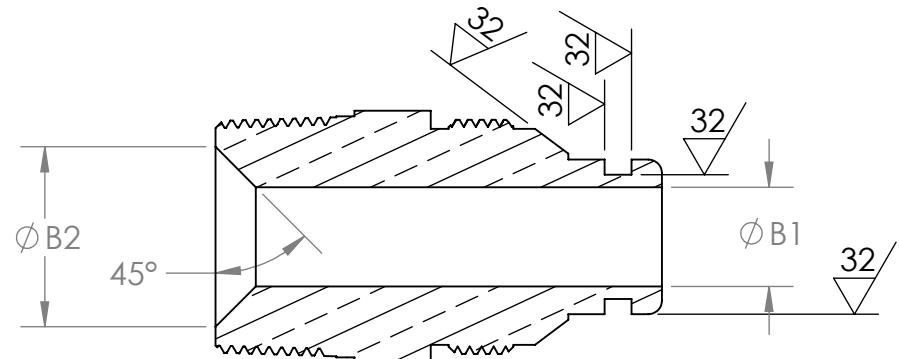


4

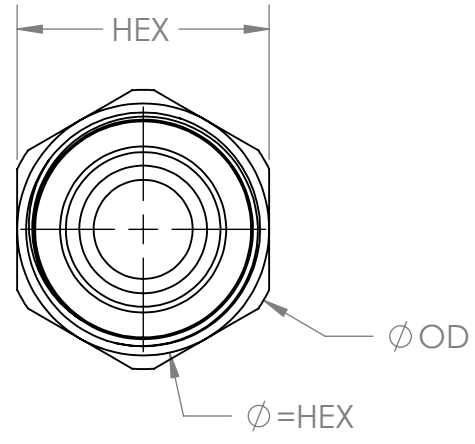
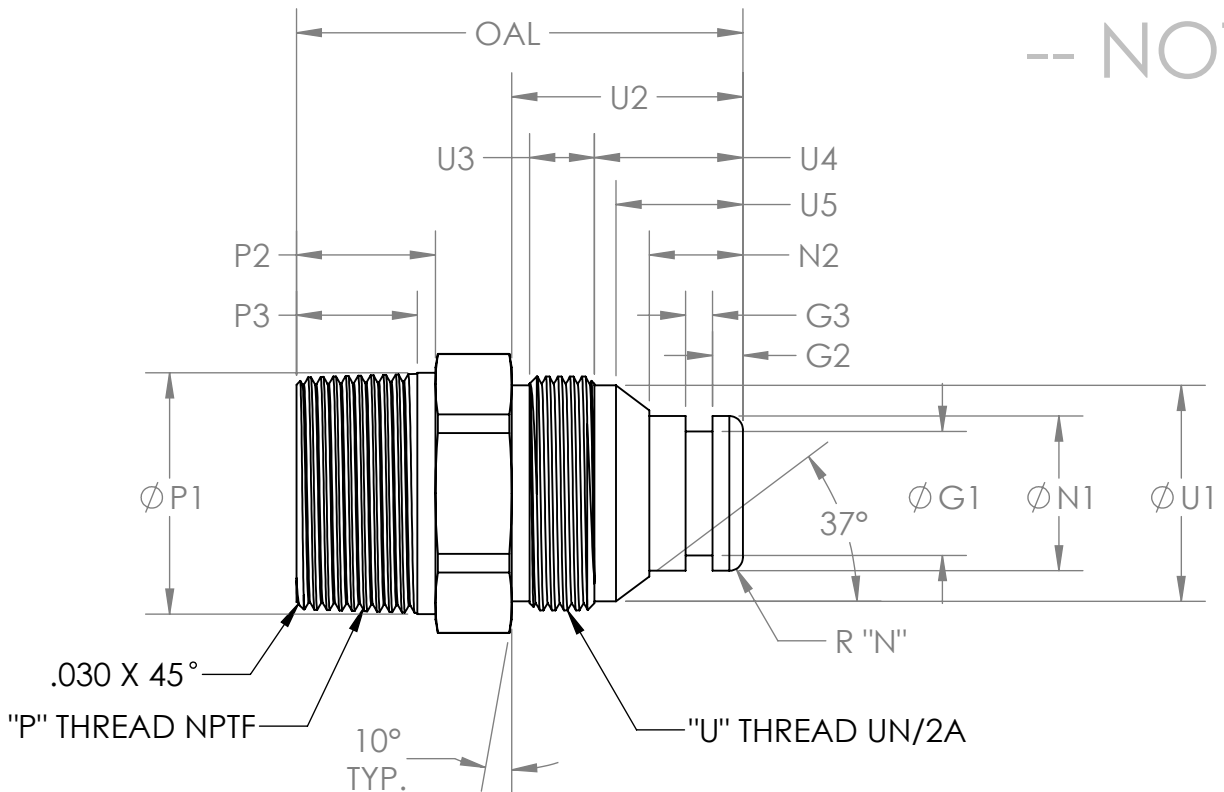
3

2

1



DRAFT
-- NOT FOR CONSTRUCTION --



| SIZE | PART # | HEX | ϕOD | OAL | $\phi P1$ | P2 | P3 | P | $\phi U1$ | U2 | U3 | U4 | U5 | U | $\phi N1$ | N2 | N | $\phi G1$ | G2 | G3 | $\phi B1$ | $\phi B2$ | O-RING | REPLACES |
|--------|-----------|-------|-----------|-------|-----------|------|------|-------------|-----------|-------|------|-------|-------|------------|-----------|------|------|-----------|------|------|-----------|-----------|--------|----------|
| 12C | I2R0601-A | 1.125 | 1.250 | 2.595 | 1.050 | .760 | .664 | 3/4"-14 | .930 | 1.385 | .415 | .845 | .705 | 1-1/16"-12 | .574 | .518 | .063 | .420 | .125 | .143 | .281 | .281 | 110 | - |
| 16C | I2R0601-E | 1.375 | 1.520 | 2.935 | 1.320 | .930 | .840 | 1"-11.5 | 1.185 | 1.535 | .450 | .960 | .815 | 1-5/16"-12 | .860 | .640 | .062 | .645 | .200 | .187 | .500 | 1.000 | 208 | I2R0602 |
| 20C | I2R0601-J | 1.750 | 1.940 | 3.100 | 1.675 | .965 | .840 | 1-1/4"-11.5 | 1.500 | 1.605 | .450 | 1.030 | .880 | 1-5/8"-12 | 1.074 | .650 | .094 | .862 | .210 | .187 | .688 | 1.250 | 211 | I2R0603 |
| 24C | I2R0601-N | 2.000 | 2.210 | 3.340 | 1.900 | 1.00 | .800 | 1-1/2"-11.5 | 1.750 | 1.740 | .522 | 1.040 | .890 | 1-7/8"-12 | 1.324 | .640 | .094 | 1.112 | .200 | .187 | .938 | 1.500 | 215 | I2R0604 |
| 32C-24 | I2R0601-S | 2.625 | 2.900 | 3.773 | 1.900 | 1.00 | .800 | 1-1/2"-11.5 | 2.375 | 2.023 | .730 | 1.168 | 1.043 | 2-1/2"-12 | 1.824 | .703 | .094 | 1.612 | .200 | .185 | 1.375 | 1.375 | 222 | I2R0605 |
| 32C | I2R0601-T | 2.625 | 2.900 | 3.773 | 2.375 | 1.00 | .800 | 2"-11.5 | 2.375 | 2.023 | .730 | 1.168 | 1.043 | 2-1/2"-12 | 1.824 | .703 | .094 | 1.612 | .200 | .185 | 1.375 | 1.375 | | |

| | | | | | | | | | | | | | | | | | |
|---|--|--|--|--|--|--|--|--|--|--|--|---------|--|---|--|------------------|--|
| UNLESS OTHERWISE SPECIFIED: | | | | | | | | | | NAME | | DATE | | I²r POWER TITLE: FTX VACUUM FITTINGS | | | |
| DIMENSIONS ARE IN INCHES | | | | | | | | | | DRAWN | | DRM | | | | /2006 | |
| TOLERANCES: FRACTIONAL $\pm 1/16$ ANGULAR: MACH $\pm .5^\circ$ BEND $\pm 1^\circ$ TWO PLACE DECIMAL $\pm .010$ THREE PLACE DECIMAL $\pm .005$ | | | | | | | | | | CHECKED | | | | | | | |
| INTERPRET GEOMETRIC TOLERANCING PER: | | | | | | | | | | ENG APPR. | | | | | | | |
| MATERIAL | | | | | | | | | | MFG APPR. | | | | | | | |
| FINISH | | | | | | | | | | Q.A. | | | | | | | |
| DO NOT SCALE DRAWING | | | | | | | | | | PROPRIETARY AND CONFIDENTIAL THE INFORMATION CONTAINED IN THIS DRAWING IS THE SOLE PROPERTY OF I ² R POWER CABLE CO. ANY REPRODUCTION IN PART OR AS A WHOLE WITHOUT THE WRITTEN PERMISSION OF I ² R POWER CABLE CO. IS PROHIBITED. | | | | SIZE DWG. NO. B I2R0601 | | REV 1D | |
| REVISION NOTES | | | | | | | | | | SCALE: 3:4 | | WEIGHT: | | SHEET 1 OF 1 | | | |

| | | | | | | | | | | | | | | | | | | | | | | | | |
|---|--|--|--|--|--|--|--|--|--|--|--|--|--|--|--|--|--|--|--|--|--|--|--|--|
| 3 | . | | | | | | | | | | | | | | | | | | | | | | | |
| 2 | . | | | | | | | | | | | | | | | | | | | | | | | |
| 1 | REDRAWN; TABULATED DIMENSIONS (WAS 12C ONLY) | | | | | | | | | | | | | | | | | | | | | | | |
| # | | | | | | | | | | | | | | | | | | | | | | | | |

4

3

2

1