

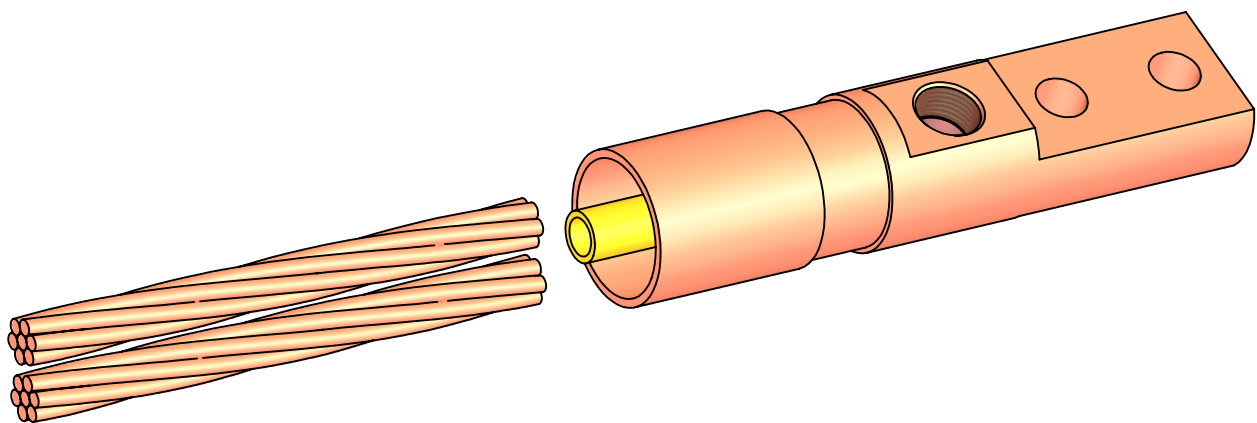
4

3

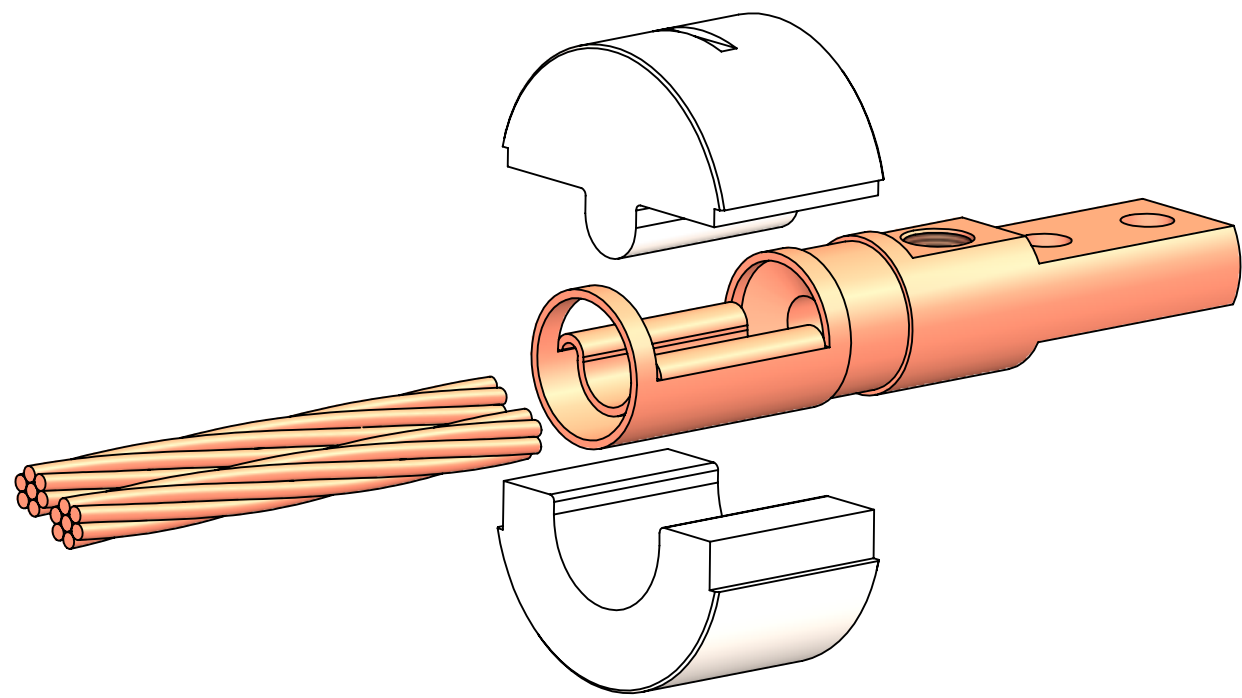
2

1

TERMINATION METHODS



SOLDER POCKET



CRIMP

B


B

A

A

#	REVISION NOTES	BY	APPR	DATE
3
2
1

UNLESS OTHERWISE SPECIFIED:		NAME	DATE
DIMENSIONS ARE IN INCHES		DRAWN	MHF 03-13-2017
TOLERANCES:		CHECKED	
FRACTIONAL ±1/16		ENG APPR.	
ANGULAR: MACH ±.5° BEND ±1°		MFG APPR.	
TWO PLACE DECIMAL ±.010		Q.A.	
THREE PLACE DECIMAL ±.005		PROPRIETARY AND CONFIDENTIAL THE INFORMATION CONTAINED IN THIS DRAWING IS THE SOLE PROPERTY OF I ² R POWER CABLE CO. ANY REPRODUCTION IN PART OR AS A WHOLE WITHOUT THE WRITTEN PERMISSION OF I ² R POWER CABLE CO. IS PROHIBITED.	
INTERPRET GEOMETRIC TOLERANCING PER:			
MATERIAL			
FINISH			
DO NOT SCALE DRAWING			

		I²r POWER	
TITLE:			
I²R POWER TERMINAL ILLUSTRATIONS			
SIZE	DWG. NO.	REV	
B	I2R17826	D3	
SCALE:	WEIGHT:	SHEET 1 OF 4	

4

3

2

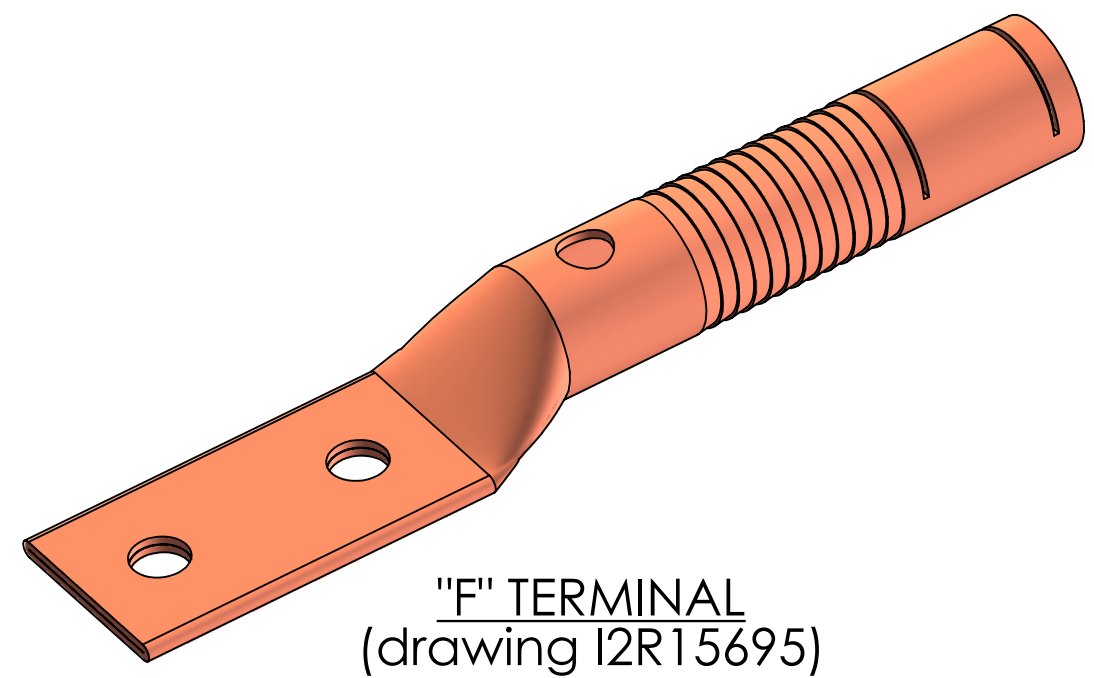
1

4

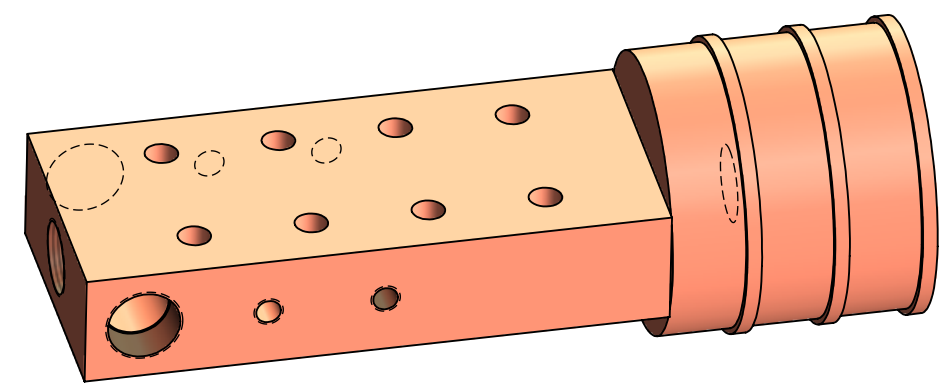
3

2

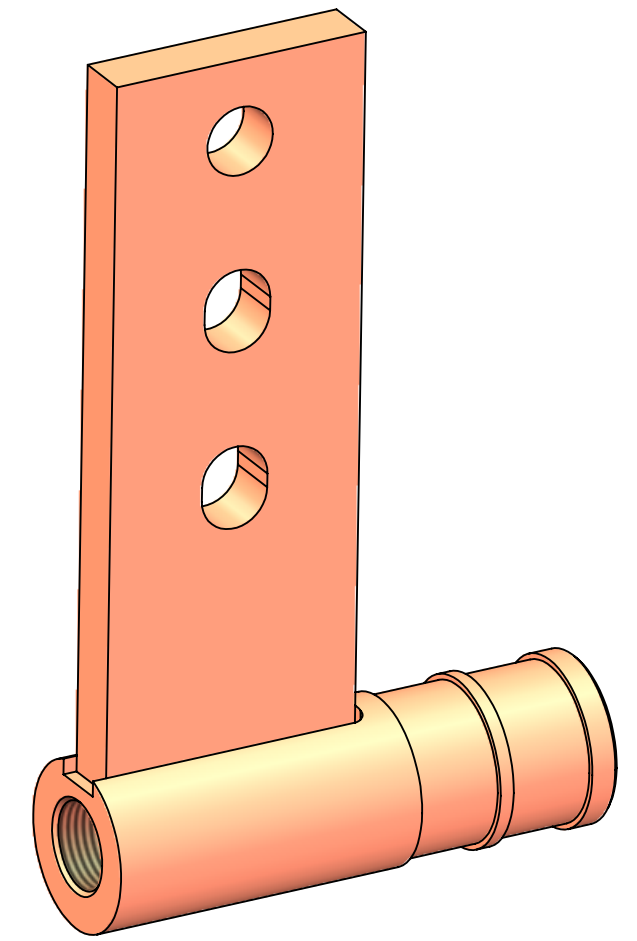
1



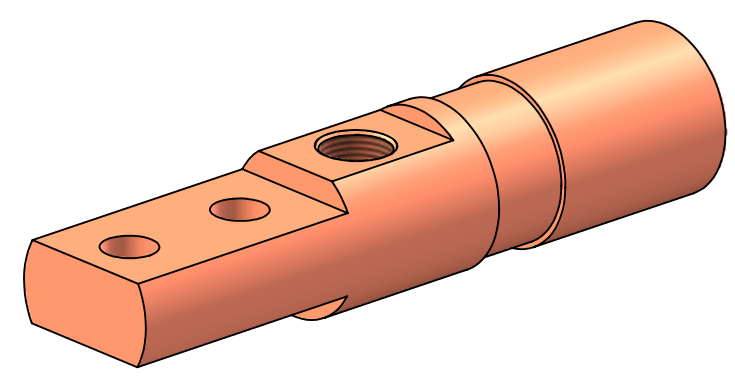
"F" TERMINAL
(drawing I2R15695)



EAF TERMINAL



FLAG TERMINAL



BLADE TERMINAL
(drawing I2R15684)

B

B

A

A

#	REVISION NOTES	BY	APPR	DATE
3
2
1

UNLESS OTHERWISE SPECIFIED:
 DIMENSIONS ARE IN INCHES
 TOLERANCES:
 FRACTIONAL ±1/16
 ANGULAR: MACH ±.5° BEND ±1°
 TWO PLACE DECIMAL ±.010
 THREE PLACE DECIMAL ±.005
 INTERPRET GEOMETRIC TOLERANCING PER:
 MATERIAL
 FINISH
 DO NOT SCALE DRAWING

	NAME	DATE
DRAWN	MHF	03-13-2017
CHECKED		
ENG APPR.		
MFG APPR.		
Q.A.		

PROPRIETARY AND CONFIDENTIAL
 THE INFORMATION CONTAINED IN THIS DRAWING IS THE SOLE PROPERTY OF I²R POWER CABLE CO. ANY REPRODUCTION IN PART OR AS A WHOLE WITHOUT THE WRITTEN PERMISSION OF I²R POWER CABLE CO. IS PROHIBITED.

		I²r POWER
TITLE:		I²R POWER TERMINAL ILLUSTRATIONS
SIZE B	DWG. NO. I2R17826	REV D3
SCALE:	WEIGHT:	SHEET 2 OF 4

4

3

2

1

4

3

2

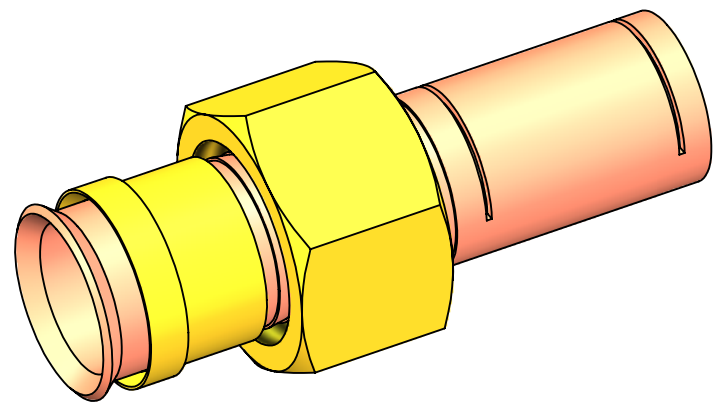
1

B

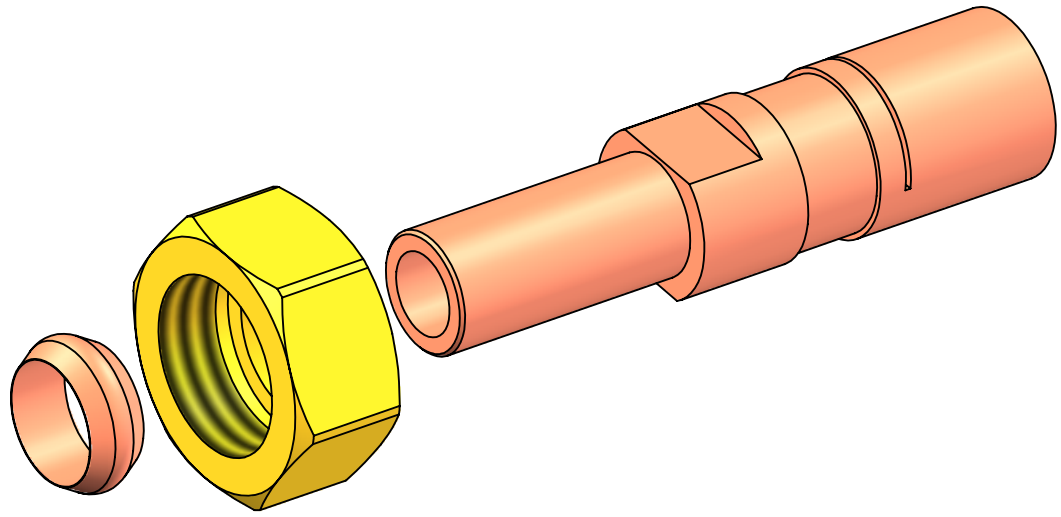
B

A

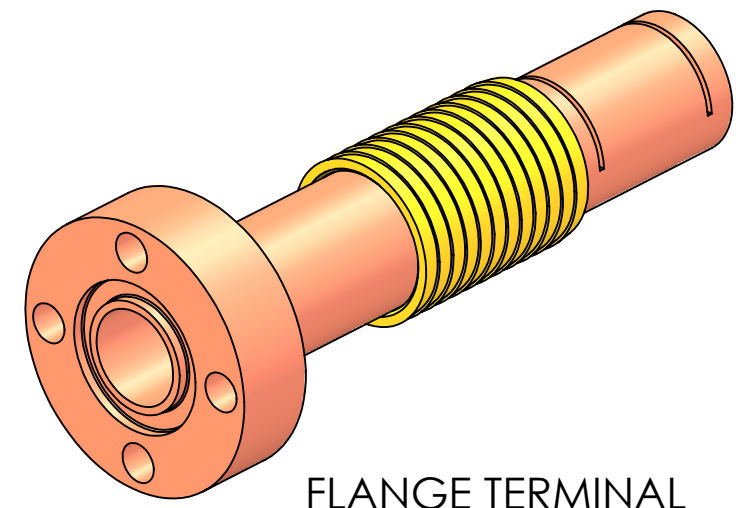
A



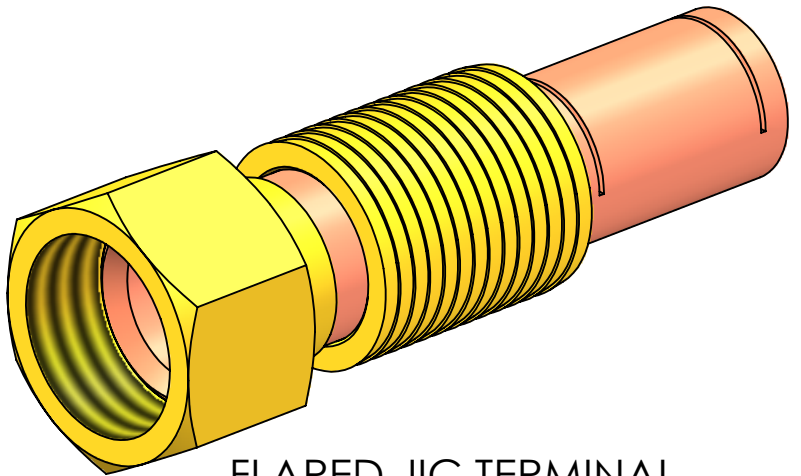
FLARED JIC TERRMINAL
STANDARD



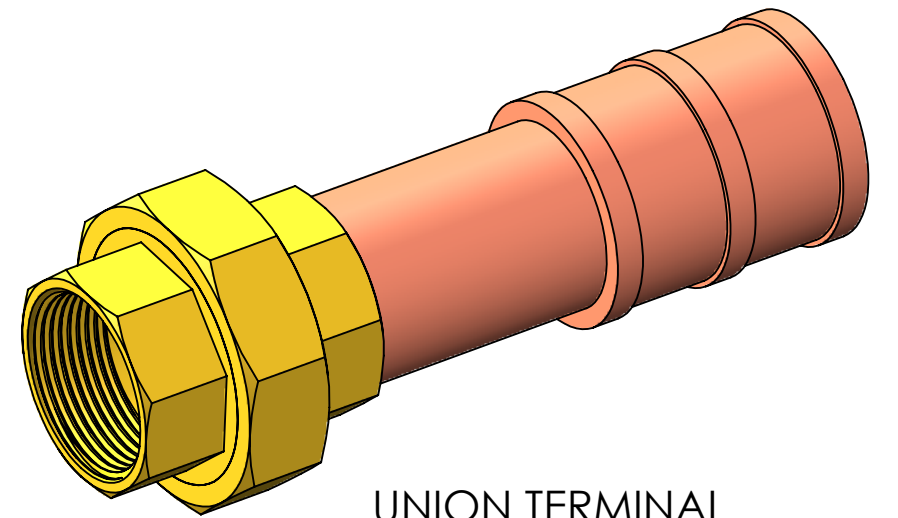
COMPRESSION TERMINAL



FLANGE TERMINAL



FLARED JIC TERMINAL
OVERSIZED HOSE




UNION TERMINAL

#	REVISION NOTES	BY	APPR	DATE
3
2
1

UNLESS OTHERWISE SPECIFIED:
 DIMENSIONS ARE IN INCHES
 TOLERANCES:
 FRACTIONAL ±1/16
 ANGULAR: MACH ±.5° BEND ±1°
 TWO PLACE DECIMAL ±.010
 THREE PLACE DECIMAL ±.005
 INTERPRET GEOMETRIC TOLERANCING PER:
 MATERIAL
 FINISH
 DO NOT SCALE DRAWING

	NAME	DATE
DRAWN	MHF	03-13-2017
CHECKED		
ENG APPR.		
MFG APPR.		
Q.A.		


I²r POWER
 TITLE: **I²R POWER TERMINAL ILLUSTRATIONS**
 SIZE **B** DWG. NO. **I2R17826** REV **D3**
 SCALE: WEIGHT: SHEET 3 OF 4

4

3

2

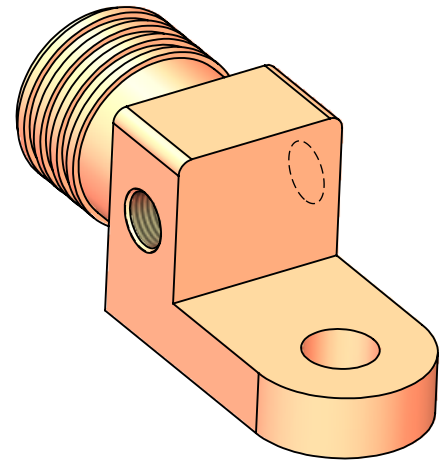
1

4

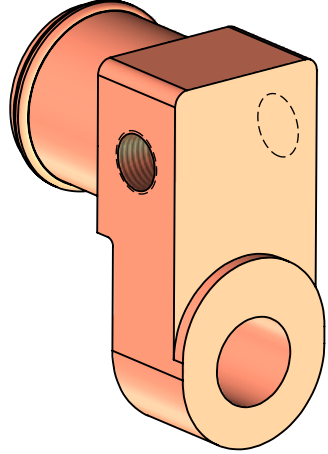
3

2

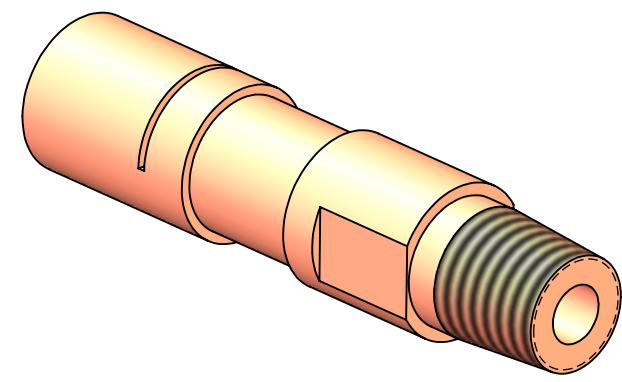
1



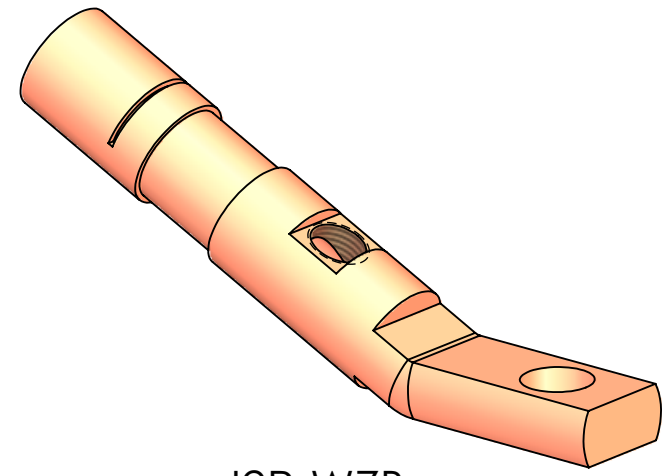
I2R-1



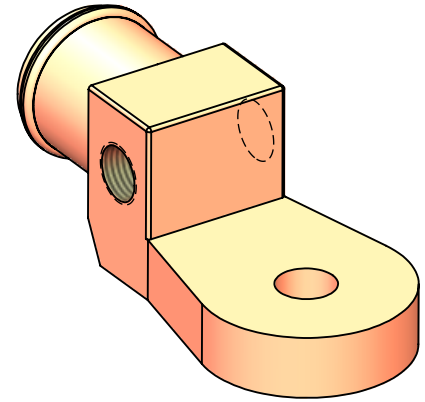
I2R-2



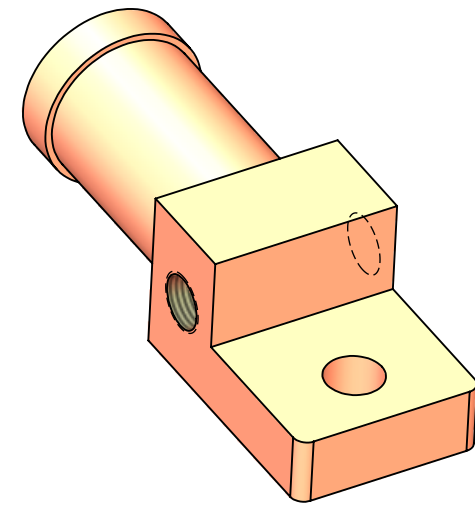
I2R-4



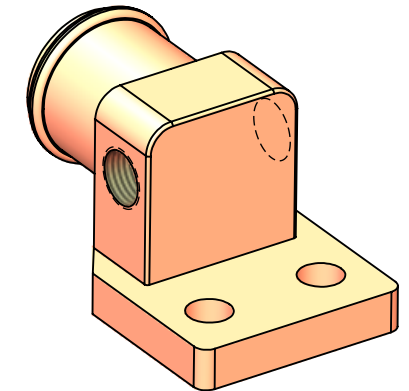
I2R-W7B



I2R-9



I2R-W1F



I2R-W2F2

B

B

A

A

UNLESS OTHERWISE SPECIFIED:

DIMENSIONS ARE IN INCHES
TOLERANCES:
FRACTIONAL ±1/16
ANGULAR: MACH ±.5° BEND ±1°
TWO PLACE DECIMAL ±.010
THREE PLACE DECIMAL ±.005

INTERPRET GEOMETRIC TOLERANCING PER:

MATERIAL

FINISH

DO NOT SCALE DRAWING

NAME	DATE
DRAWN	MHF 03-13-2017
CHECKED	
ENG APPR.	
MFG APPR.	
Q.A.	

PROPRIETARY AND CONFIDENTIAL
THE INFORMATION CONTAINED IN THIS DRAWING IS THE SOLE PROPERTY OF I²R POWER CABLE CO. ANY REPRODUCTION IN PART OR AS A WHOLE WITHOUT THE WRITTEN PERMISSION OF I²R POWER CABLE CO. IS PROHIBITED.



I²r POWER

TITLE:
I²R POWER TERMINAL ILLUSTRATIONS

SIZE DWG. NO. REV
B I2R17826 D3

SCALE: WEIGHT: SHEET 4 OF 4

3	.							
2	.							
1	.							
#		REVISION NOTES		BY	APPR	DATE		

4

3

2

1