

4

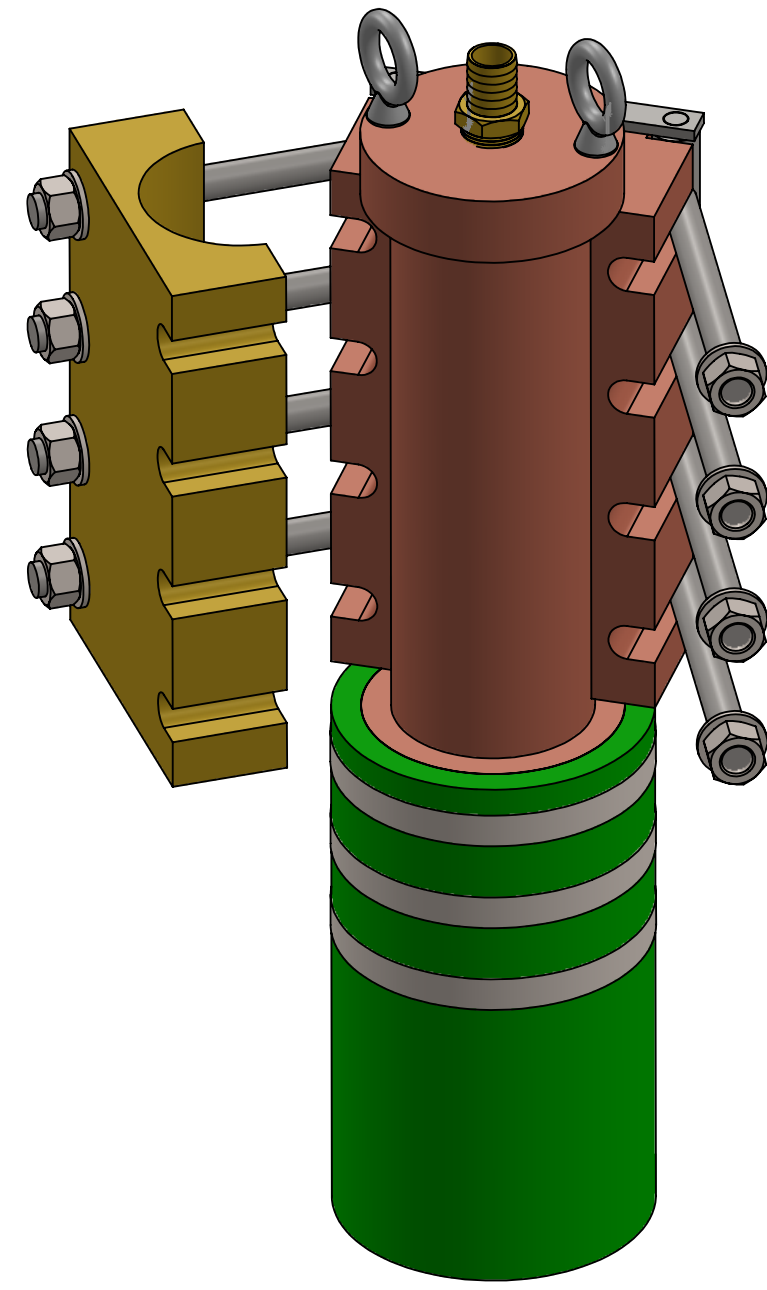
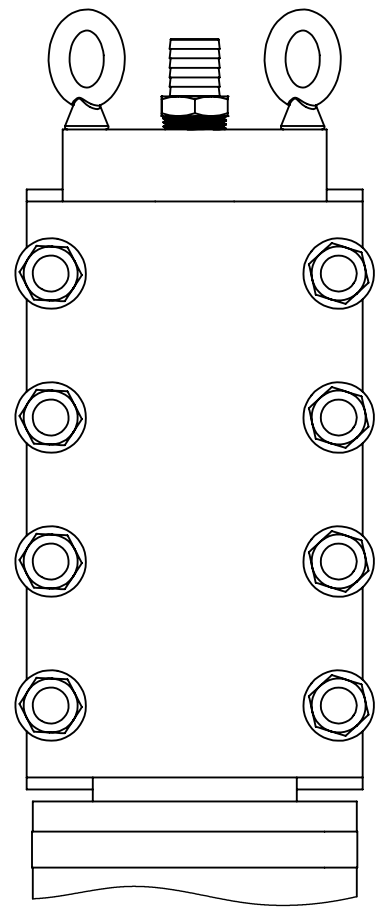
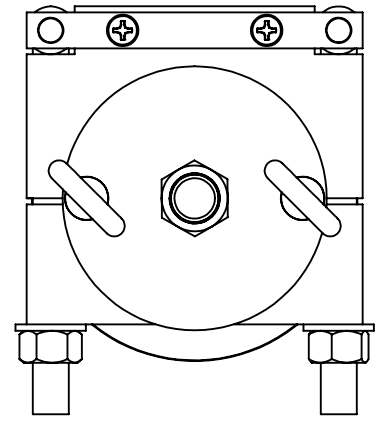
3

2

1

B

B



A

A

#	REVISION NOTES	BY	APPR	DATE
3
2
1

UNLESS OTHERWISE SPECIFIED:		NAME	DATE
DIMENSIONS ARE IN INCHES		DRAWN	MHF 03-11-2017
TOLERANCES:		CHECKED	
FRACTIONAL ±1/16		ENG APPR.	MGP 03--2017
ANGULAR: MACH ±.5° BEND ±1°		MFG APPR.	
TWO PLACE DECIMAL ±.010		Q.A.	
THREE PLACE DECIMAL ±.005		PROPRIETARY AND CONFIDENTIAL	
INTERPRET GEOMETRIC TOLERANCING PER:		THE INFORMATION CONTAINED IN THIS DRAWING IS THE SOLE PROPERTY OF I ² R POWER CABLE CO. ANY REPRODUCTION IN PART OR AS A WHOLE WITHOUT THE WRITTEN PERMISSION OF I ² R POWER CABLE CO. IS PROHIBITED.	
MATERIAL			
FINISH			
DO NOT SCALE DRAWING			

I²r POWER

TITLE: **EZ STAHL QUICK-CHANGE TERMINAL**

SIZE	DWG. NO.	REV
B	I2R15701	D1

SCALE: 1:4 WEIGHT: SHEET 1 OF 1

4

3

2

1